

# 4115-3106 BARRETT™ 1.28



Elongated Front, SmartHeight™ Vitreous China, Two-Piece Toilet

## FEATURES

- Concealed trapway for easier cleaning
- 1.28 gpf / 4.8 lpf high efficiency water consumption
- Elongated front, SmartHeight™ bowl
- Complies with ADA requirements for accessibility
- High performance MagnaFlush™ flushing technology
- 3" flush valve
- Pilot operated anti-siphon fill valve
- 12" rough-in
- Model 69 side-mount metal trip lever
- 2-1/8" glazed trapway
- The Mansfield® limited lifetime warranty
- Available in White and Biscuit



**MODEL 4115-3106**

Toilet seat not included



ELONGATED



SMARTHEIGHT ADA

## COMPONENTS

| MODEL #   | DESCRIPTION   | CODES/STANDARDS |
|-----------|---|-----------------|
| 4115-3106 | Elongated front, SmartHeight™, two-piece toilet. Less toilet seat and supply. Specify color.                  |                 |
| 4115      | Elongated front, SmartHeight™ toilet bowl only. Less toilet seat and supply. Specify color.                   |                 |
| 3106      | Tank and cover only, with left hand, side-mount, chrome-plated, metal trip lever. Less supply. Specify color. |                 |

### TANK TRIM & REPLACEMENT PARTS





|          |   |
|----------|---|
| 69       | Trip lever - side-mount, chrome-plated, metal trip lever, left hand |
| 2206     | Pilot operated fill valve   |
| 630-0207 | Replacement flapper   |
| 106-LID  | Tank lid  |

# 4115-3106 BARRETT™ 1.28



Elongated Front, SmartHeight™ Vitreous China, Two-Piece Toilet

## SPECIFICATIONS

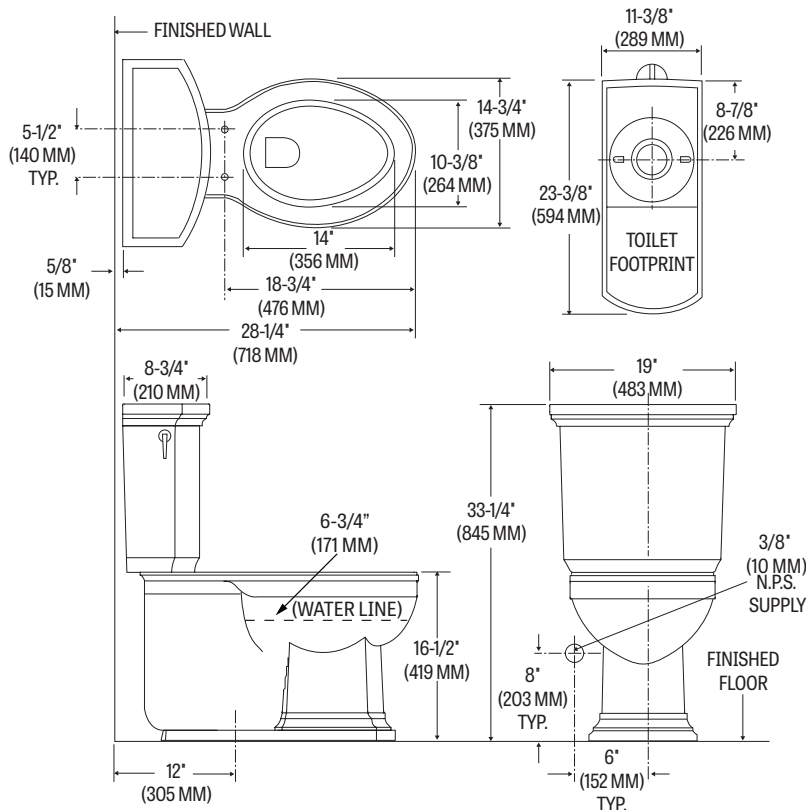
| MODEL #   | DESCRIPTION  | CODES/STANDARDS   |
|-----------|--|---|
| 4115-3106 | Elongated front, SmartHeight™ (1.28gpf/4.8 lpf) two-piece toilet |     |

|                      |                                    |
|----------------------|------------------------------------|
| MATERIAL             | Vitreous China                     |
| WATER PRESSURE RANGE | 20 to 80 PSI                       |
| FLUSH SYSTEM         | 3' MagnaFlush™ flushing technology |
| WATER USAGE          | 1.28 gpf / 4.8 lpf                 |
| WATER SURFACE AREA   | 8-1/4" X 10-3/8"                   |
| ROUGH-IN             | 12"                                |
| MAP RATING           | 800 grams                          |

|                 |   |
|-----------------|---|
| TRAP DIAMETER   | 2-1/8"  |
| TRAP SEAL       | 2-1/4"  |
| SHIPPING WEIGHT | Model 4115- 69 lbs. (31 kg)<br>Model 3106- 40 lbs. (18 kg)        |
| WARRANTY        | Vitreous China - Limited Lifetime<br>Tank Trim - Limited One Year |

## TECHNICAL INFORMATION

**Note:** these dimensions are nominal and subject to change without notice.



Fixture performance and specifications meet or exceed ASME A112.19.2/CSA B45.1 standards, and other state and local codes.